

COUPLINGS, MULTICOUPLINGS & MOULD COOLING PRODUCTS

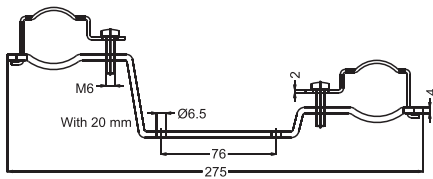
KUPPLUNGEN, MULTIKUPPLUNGEN & KÜHLUNGSELEMENTE FÜR WERKZEUGE

SERIE 117

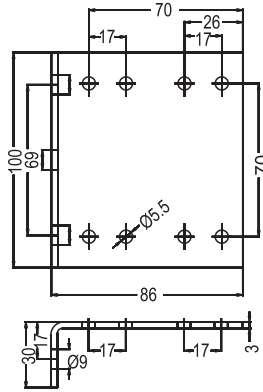
Order No / Bestellnr.: 117K -BS-70



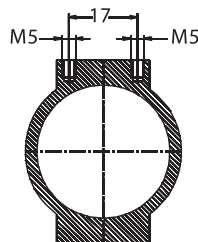
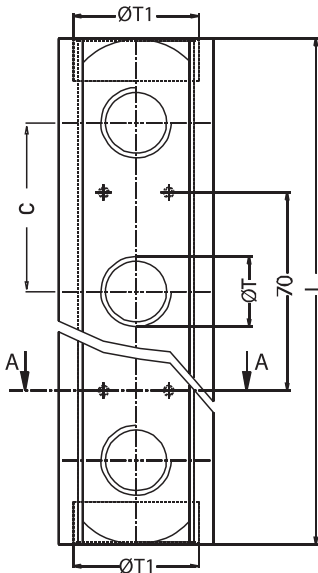
Collectors Assembling Clamps (1")
Montage Klemmen für Kollektor (1")



Order No / Bestellnr.: 117K -LP-33



Also Aluminium Collector 1.1/4" & 1.1/2" available
Auch Aluminiumkollektor 1.1/4" & 1.1/2" verfügbar



$\text{ØT} = 1/4"$		$\text{ØT} = 3/4"$	
No of exits G1/4"	Order No Bestellnr.	L	C
4	117K-04-13/26	155	30
5	117K-05-13/26	190	30
6	117K-06-13/26	225	30
8	117K-08-13/26	295	30
10	117K-10-13/26	365	30
12	117K-12-13/26	435	30

$\text{ØT} = 3/8"$		$\text{ØT} = 3/4"$	
No of exits G3/4"	Order No Bestellnr.	L	C
4	117K-04-17/26	155	35
5	117K-05-17/26	190	35
6	117K-06-17/26	225	35
8	117K-08-17/26	295	35
10	117K-10-17/26	365	35
12	117K-12-17/26	435	35

$\text{ØT} = 3/8"$		$\text{ØT} = 1"$	
No of exits G3/8"	Order No Bestellnr.	L	C
4	117K-04-17/33	165	35
5	117K-05-17/33	200	35
6	117K-06-17/33	235	35
8	117K-08-17/33	305	35
10	117K-10-17/33	375	35
12	117K-12-17/33	445	35

$\text{ØT} = 1/2"$		$\text{ØT} = 1"$	
No of exits G1/2"	Order No Bestellnr.	L	C
4	117K-04-21/33	210	50
5	117K-05-21/33	260	50
6	117K-06-21/33	310	50
8	117K-08-21/33	410	50
10	117K-10-21/33	510	50
12	117K-12-21/33	610	50

$\text{ØT} = 3/8"$		$\text{ØT} = 1.1/4"$	
No of exits G3/8"	Order No Bestellnr.	L	C
4	117K-04-17/42	196	40
5	117K-05-17/42	276	40
6	117K-06-17/42	356	40
8	117K-08-17/42	436	40
10	117K-10-17/42	516	40
12	117K-12-17/42	676	40

$\text{ØT} = 1/2"$		$\text{ØT} = 1.1/4"$	
No of exits G1/2"	Order No Bestellnr.	L	C
4	117K-04-21/42	226	50
5	117K-05-21/42	326	50
6	117K-06-21/42	426	50
8	117K-08-21/42	526	50
10	117K-10-21/42	626	50
12	117K-12-21/42	826	50

Example

117K-04-17/42 R (red)
117K-04-17/42 B (blue)